



T&S BRASS AND BRONZE WORKS, INC.
 2 Saddleback Cove / P.O. Box 1088
 Travelers Rest, SC 29690

Model No.
B-1175

Item No.

Travelers Rest, SC: 800-476-4103 • Simi Valley, CA: 800-423-0150 • Fax: 864-834-3518 • www.tsbrass.com



ADA Compliant

This Space for Architect/Engineer Approval

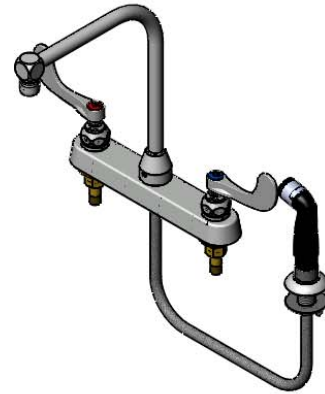
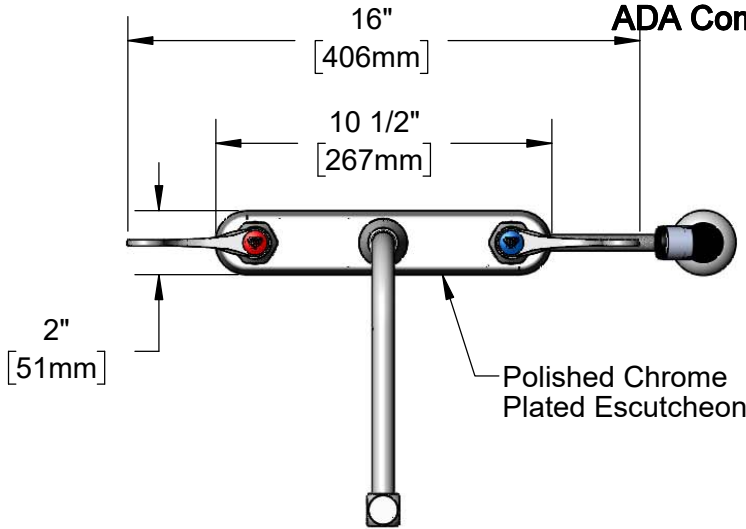
Job Name _____ Date _____

Model Specified _____ Quantity _____

Customer/Wholesaler _____

Contractor _____

Architect/Engineer _____



High-Arc Swivel
 Gooseneck w/
 B-0199-01
 2.2 GPM Aerator

Quarter-Turn Eterna
 Cartridges w/ Spring
 Checks & Lever Handles
 w/ Color Coded Indexes

Sidespray w/
 4' Vinyl Hose &
 Hose Guide

Hose Guide
 w/ Lock Nut

360° Swivel
 Piece

4 15/16"
 [125mm]

12 1/8"
 [307mm]

10 1/4"
 [260mm]

Mounting
 Surface

1"
 [26mm]

1"
 [25mm]

1/4"
 [6mm]
 Maximum
 Thickness

1/2" NPT
 Male Inlets

8"
 [203mm]

(2) 150A
 Optional Tailpiece & Nut
 For 1/4" NPT Connection
 (Included)

Rough-In Requirement:
 Faucet: (3) Ø 1" [25mm] Mounting Holes
 Sidespray: (1) Ø 1" [25mm] Mounting Hole

Product Specifications:

8" Deck Mount Workboard Faucet, Quarter-Turn Eterna Cartridges w/ Spring Checks, Lever Handles, High-Arc Swivel Gooseneck, 2.2 GPM Aerator, 4' Vinyl Hose Sidespray w/ Hose Guide & 1/2" NPT Male Inlets

Product Compliance:

ASME A112.18.1 / CSA B125.1
 NSF 61 - Section 9
 NSF 372 (Low Lead Content)
 ANSI A117.1 (ADA)

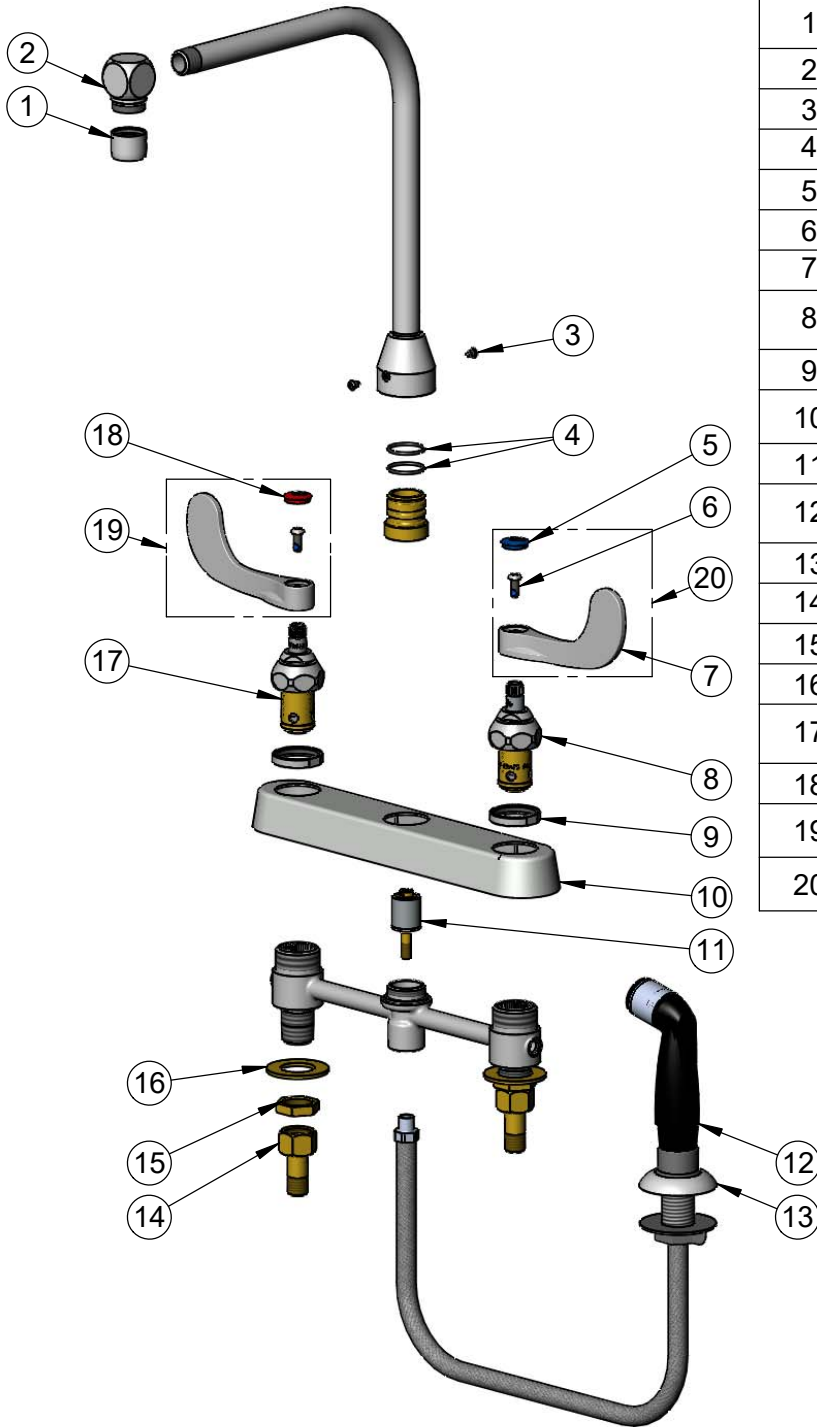


T&S BRASS AND BRONZE WORKS, INC.
 2 Saddleback Cove / P.O. Box 1088
 Travelers Rest, SC 29690

Model No.
B-1175

Item No.

Travelers Rest, SC: 800-476-4103 • Simi Valley, CA: 800-423-0150 • Fax: 864-834-3518 • www.tsbrass.com



ITEM NO.	SALES NO.	DESCRIPTION
1	B-0199-01	2.2 GPM Aerator, 55/64-27 UN Female
2	002823-40	Cube
3	001486-45	Diverter Cover Screw
4	006562-45	O-Ring
5	018506-19NS	Blue Button Index, Press-in
6	000925-45	Lab Handle Screw
7	B-WH4-NS	Wrist Action Handle - New Style
8	012442-40NS	Quarter-Turn Eterna Cartridge w/ Spring Check, LTC
9	019376-40	Escutcheon Lock Nut
10	019375-40	B-1120 Eterna Workboard Escutcheon
11	002338-45	Valve Diverter Piston
12	001495-45	Sidespray w/ 4' Vinyl Hose & Hose Guide
13	001496-45	Hose Guide
14	150A	1/4" NPT Tailpiece & Nut
15	002954-45	Shank Lock Nut
16	000999-45	Brass Lock Washer
17	012443-40NS	Quarter-Turn Eterna Cartridge w/ Spring Check, RTC
18	001193-19NS	Red Button Index, Press-in
19	B-WH4H-NS	Wrist Action Handle, Red Index & Screw
20	B-WH4C-NS	Wrist Action Handle, Blue Index & Screw

Product Specifications:
 8" Deck Mount Workboard Faucet, Quarter-Turn Eterna Cartridges w/ Spring Checks, Lever Handles, High-Arc Swivel Gooseneck, 2.2 GPM Aerator, 4' Vinyl Hose Sidespray w/ Hose Guide & 1/2" NPT Male Inlets

Product Compliance:
 ASME A112.18.1 / CSA B125.1
 NSF 61 - Section 9
 NSF 372 (Low Lead Content)
 ANSI A117.1 (ADA)